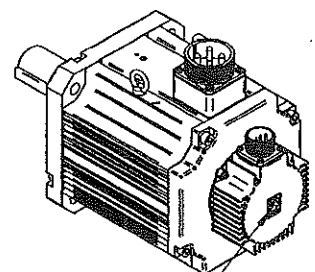


Model: JSMA-PIH55A7K

No.	Item	Symbol	Unit	Specification	No.	Item	Symbol	Unit	Specification
1	Drive	-	-	3 ϕ 220 VAC	13	Rotor Inertia	Jm	kg-cm ²	77.9 \pm 10%
2	Cooling Method	-	-	Totally Enclosed	14	Rated Power Rate	Q-R	Kw/s	158.15
3	Exciting Method	-	-	Permanent Magnet	15	Resistance	Ra	Ω	0.129 \pm 10% / 2 ϕ
4	Resolution	-	-	17 BIT-INC	16	Inductance	L	mH	3.2 \pm 10% / 2 ϕ
5	Rated Output	P-R	W	5500	17	Mech. Time Constant	Tm	ms	0.97 \pm 10%
6	Rated Torque	T-R	N-m	35.1	18	Elect. Time Constant	Te	ms	24.81 \pm 10%
7	Max. Torque	T-max	N-m	87.75	19	Insulation Class	-	-	Class F
8	Rated Speed	N-R	rpm	1500	20	Operation Temp.	T	$^{\circ}$ C	0~40
9	Rated Current	I-R	A	29.5	21	Operation Humd.	RH	%	<80
10	Max. Current	I-max	A	73.8	22	Storage Temp.	T	$^{\circ}$ C	-20~-60
11	Torque Constant	Kt	N-m/A	1.19 \pm 10%	23	Storage Humd.	RH	%	<80
	Voltage Constant	Ke	V/krpm	79 \pm 10%	24	Weight	W	kgw	27.1

Pin	Signal
B	+5V
I	0V
A	SD
C	SD-
H	SD
D	SD-
G	SD
E	SD-
F	FG

Pin	Signal
A	U
B	V
C	W
D	FG



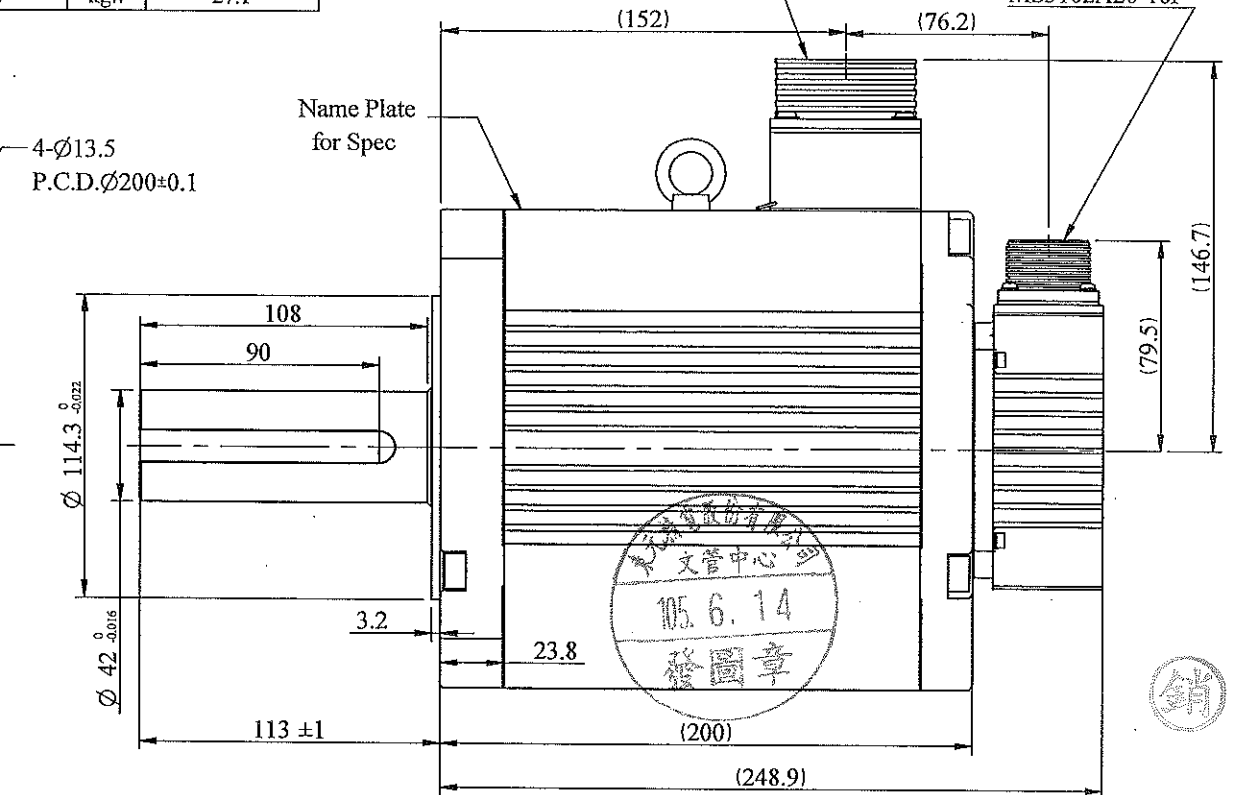
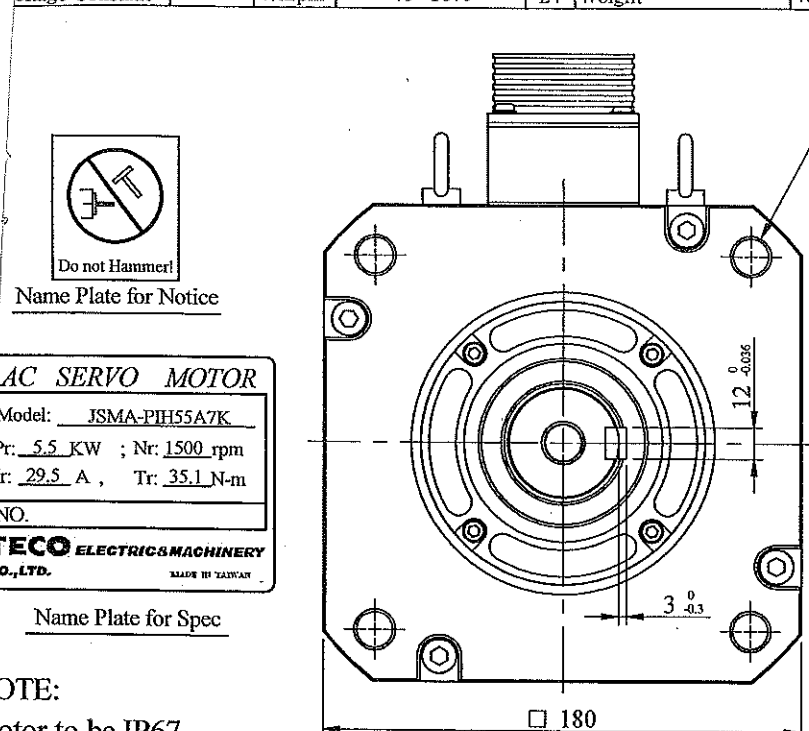
Name Plate for Notice

Encoder Wiring

Motor Wiring

Military connector MS3102A32-17P

Military connector MS3102A20-18P



STANDARD TOLERANCE		APVD	SCALE	UNIT	mm	NAME	Servo Motor Outline Drawing	
X	\pm 0.5	LS	3RD .A.P			JSMA-PIH55A7K	DWG.NO.	D01B18552H3N7AD01
.X	\pm 0.2	Michelle						
.XX	\pm 0.05							
ANGLE	\pm 30'							
01	IS16608-01	Chin	6-8-'16	DWN	hao	04-01-'16	Dept. Design	
MATERIAL		REV	DESCRIPTION	SIGNATURE	DATE	SIGNATURE	DATE	

